



TTMA-200

TRAILER TRUCK MOUNTED ATTENUATOR

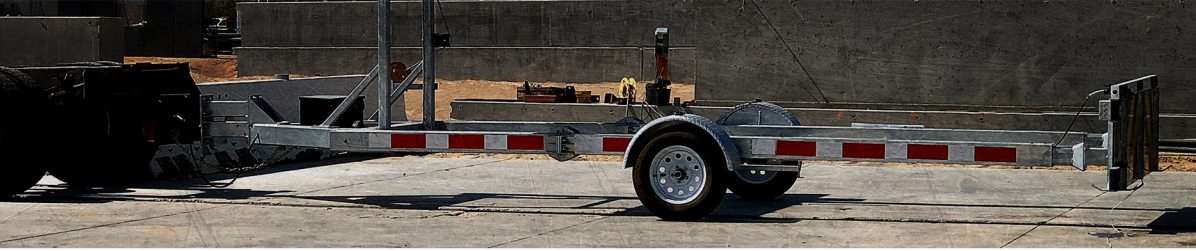
Designed for use in mobile and stationary work zones, the TTMA-200 helps to keep your most valuable assets protected in the event of a work zone intrusion. Its patented, energy-absorbing technology offers flexible performance at a competitive price and meets all required MASH TL-3 testing standards.



GREGORY
HIGHWAY

gregoryhighway.com

Reliability 
AT EVERY TURN



Absorb impacts. Protect assets. Save lives.

The TTMA-200 is made from galvanized steel and built for versatility. The single point pintle hitch mount can be used with most supporting vehicles weighing 10,000 lbs. (4,535.9 kg.) or more and can be switched between host vehicles in minutes. Its flexible configuration is easily adaptable to sweeping, salting, mowing and striping operations and can be equipped with optional items, including an arrow board, arrow board stand and hitch extensions.

TTMA-200 ADVANTAGES

- ▶ No host vehicle modification required
- ▶ Open frame system is easy to maintain and repair
- ▶ Anti-rotational by design
- ▶ No cartridges needed
- ▶ Versatile asset protection

TECHNICAL HIGHLIGHTS

▶ MASH 2016 tested and approved

The TTMA-200 was successfully tested and passed all required MASH crash test criteria. The Federal Highway Administration (FHWA) eligibility letter was awarded in March 2019 and is filed as CC-152.

▶ Patented energy absorbing technology

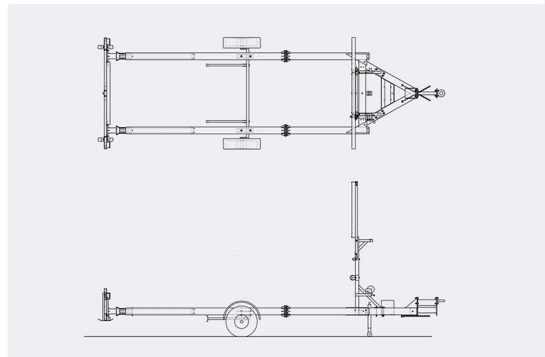
During a collision, the oversized mandrel pushes into a smaller tube, splitting it into four strips of metal to dissipate the impact energy. The metal strips remain with the trailer and pose no hazard to adjacent traffic.

▶ Proven strength and versatility

Within minutes, the TTMA-200 can be attached to any support vehicle with a gross vehicle weight (GVW) of 10,000 lbs. (4,535.9 kg.) or more. Only a standard eight-ton pintle hitch is needed, and there is no maximum weight limit.

PRODUCT SPECIFICATIONS

- ▶ Width: 96 in. (2.4 m.)
- ▶ Height: 39 in. (990.6 mm.)
- ▶ Length: 23.5 ft. (7.2 m.)
- ▶ Approximate weight: 1,450 lbs. (658 kg.)
- ▶ Approximate weight with an arrow board: 1,750 lbs. (794 kg.)
- ▶ Approximate tongue weight: 300 lbs. with arrow board
- ▶ Eight-ton pintle hook height: 19.5 to 32 in. (49.53 to 81.28 cm.)
- ▶ Galvanizing method: hot dip
- ▶ MASH compliance: passed test levels 3-50, 3-51, 3-52 and 3-53



4100 13th St. SW, Canton, OH 44710 1-866-994-4929

Gregory Highway is a division of Gregory Industries

gregoryhighway.com